



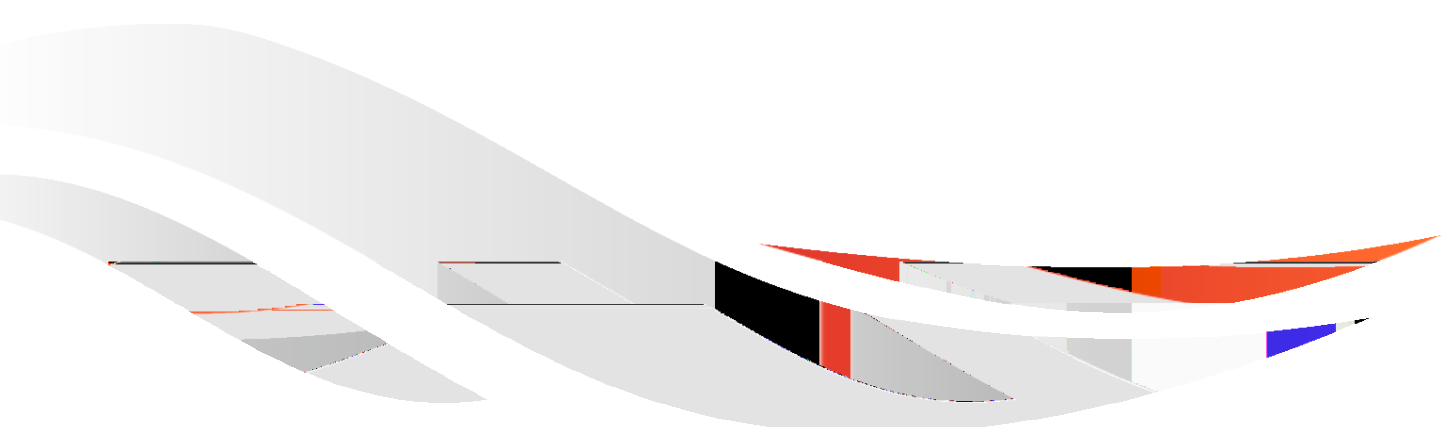
Quectel_EVB_EC600X、EC800X

使用说明

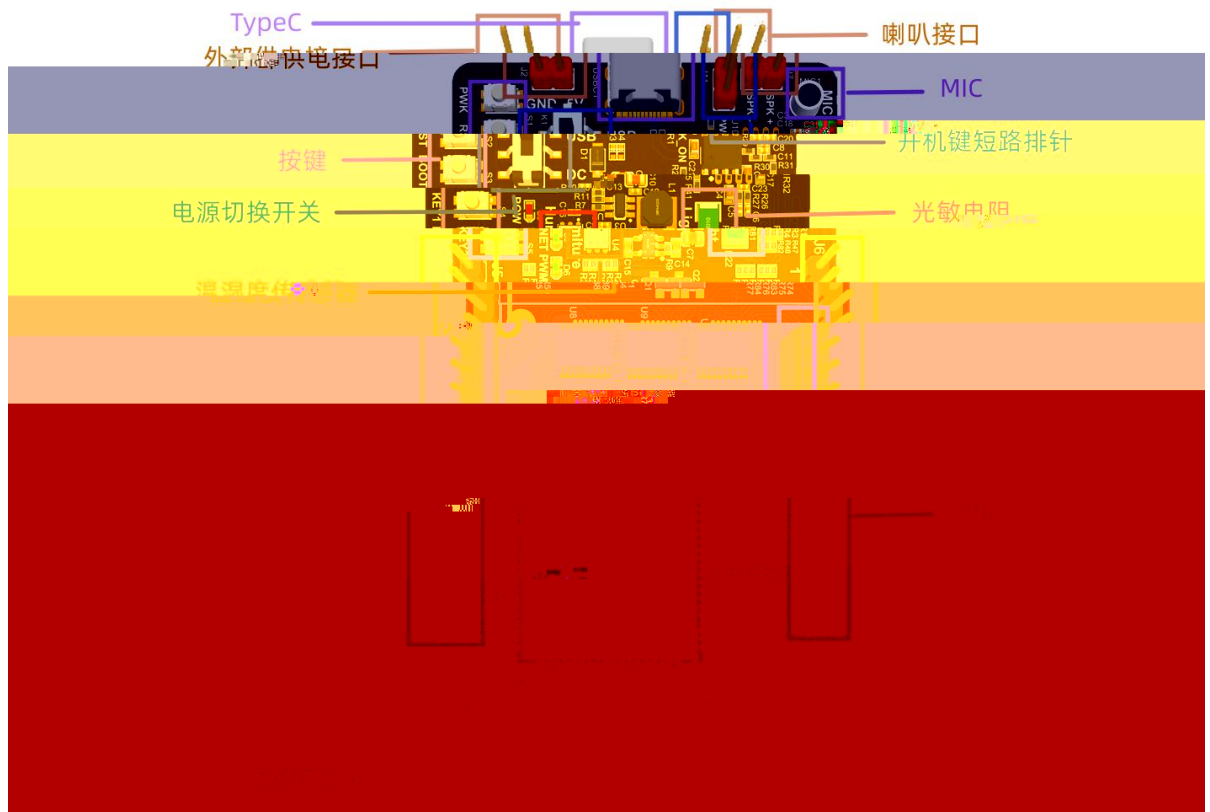
EVB 0X、E800X

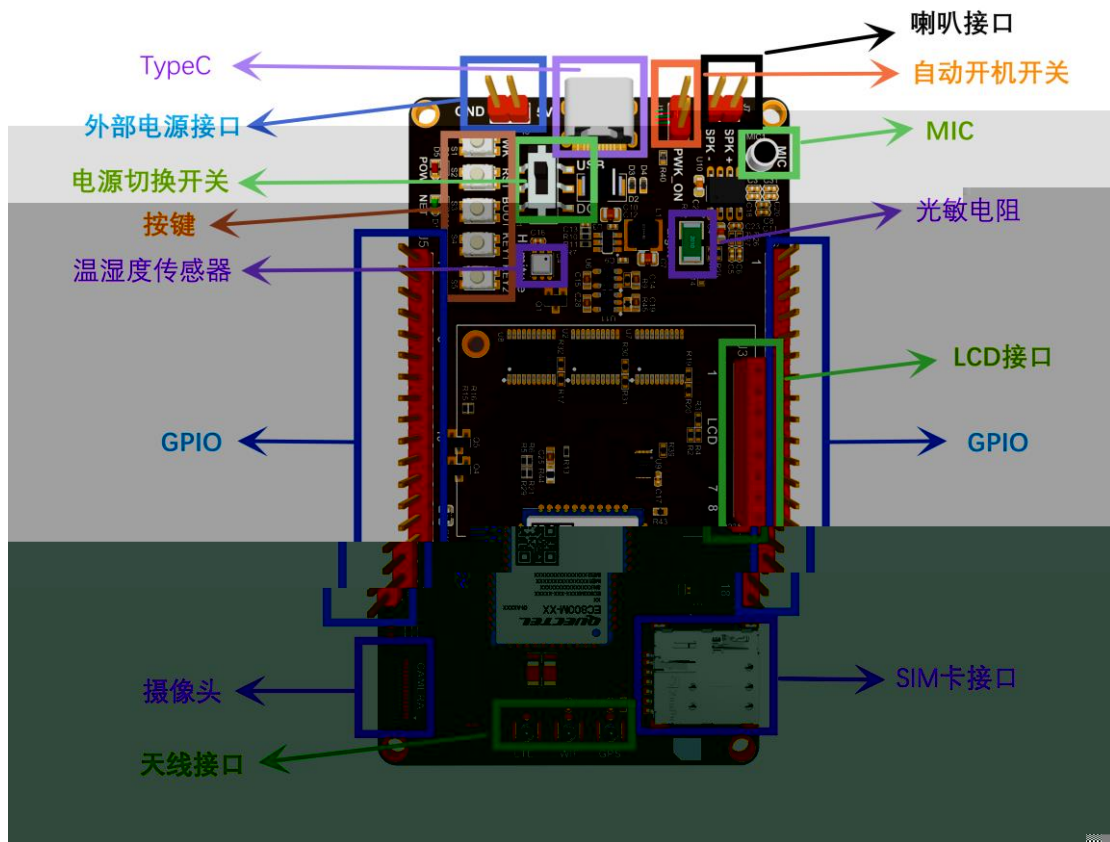
3.2

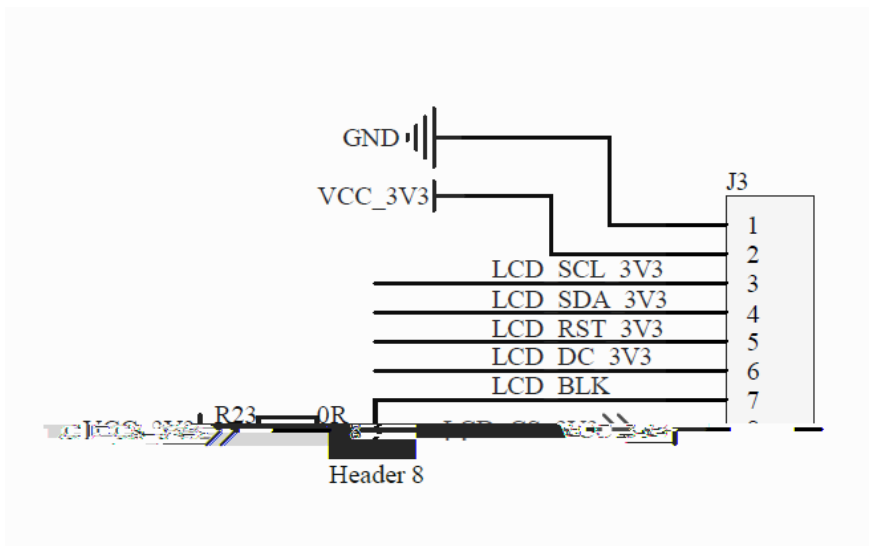
11 07

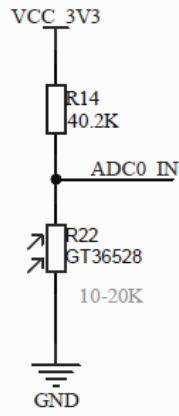


EC600X— EC600 EC600N EC600U EC600M
EC800X— EC800 EC800M EC800E
EVB—
V3.X--

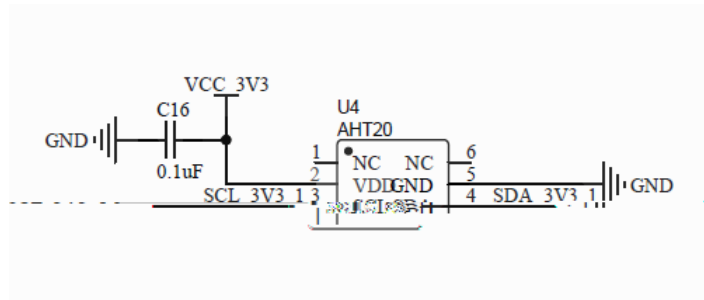
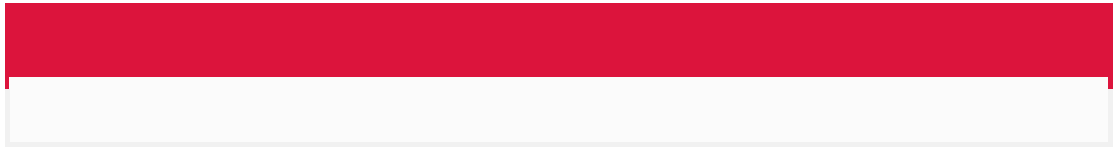


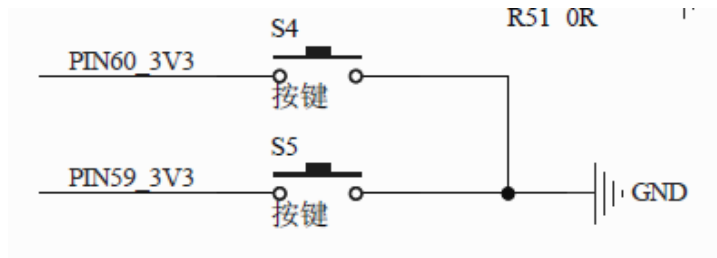
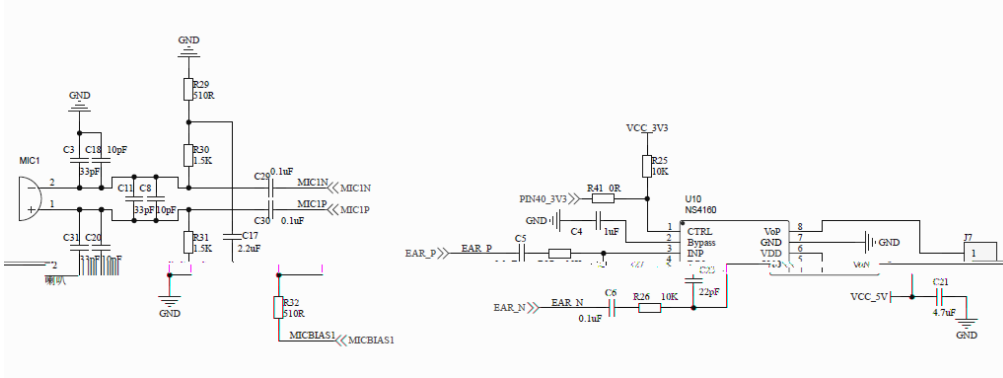




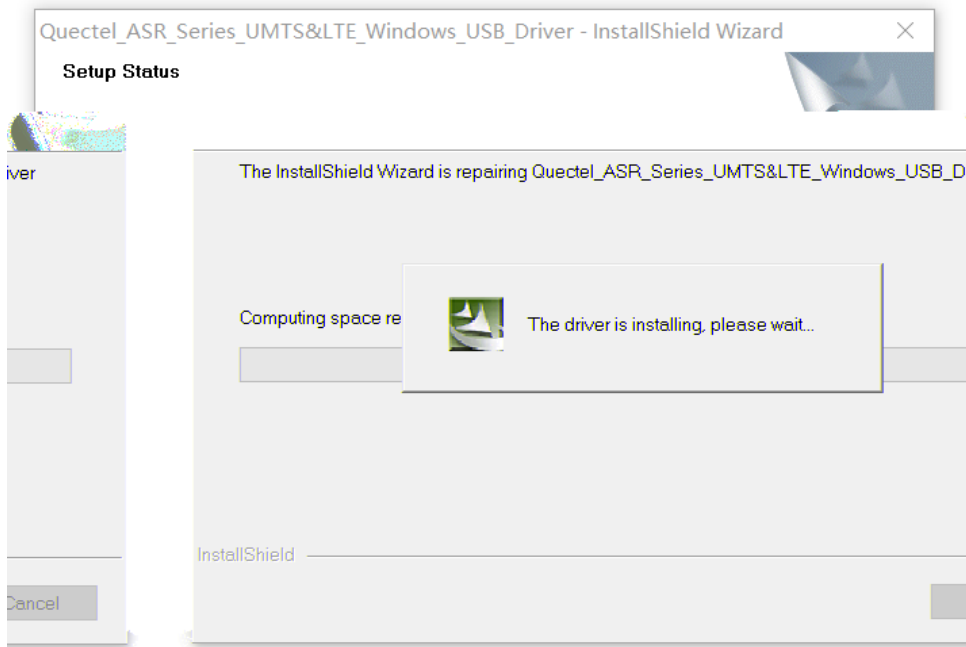


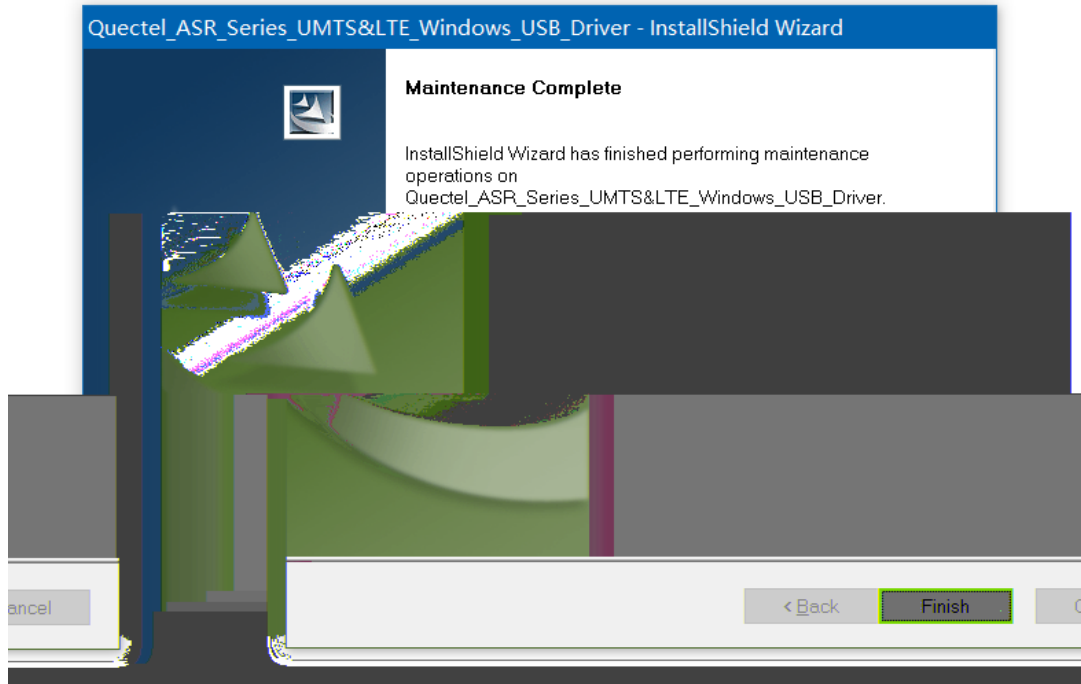
光敏电阻





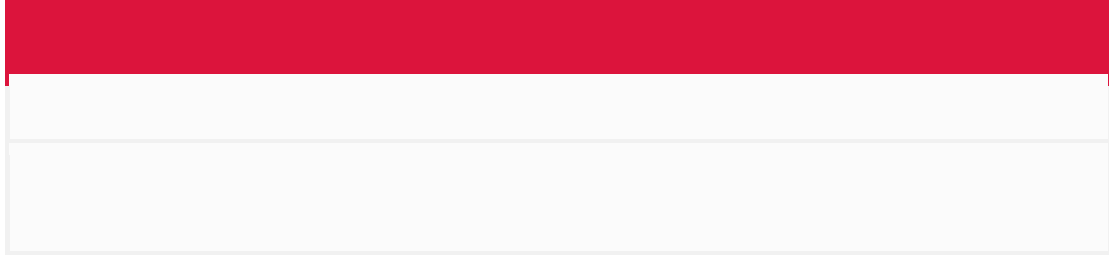
setup.exe



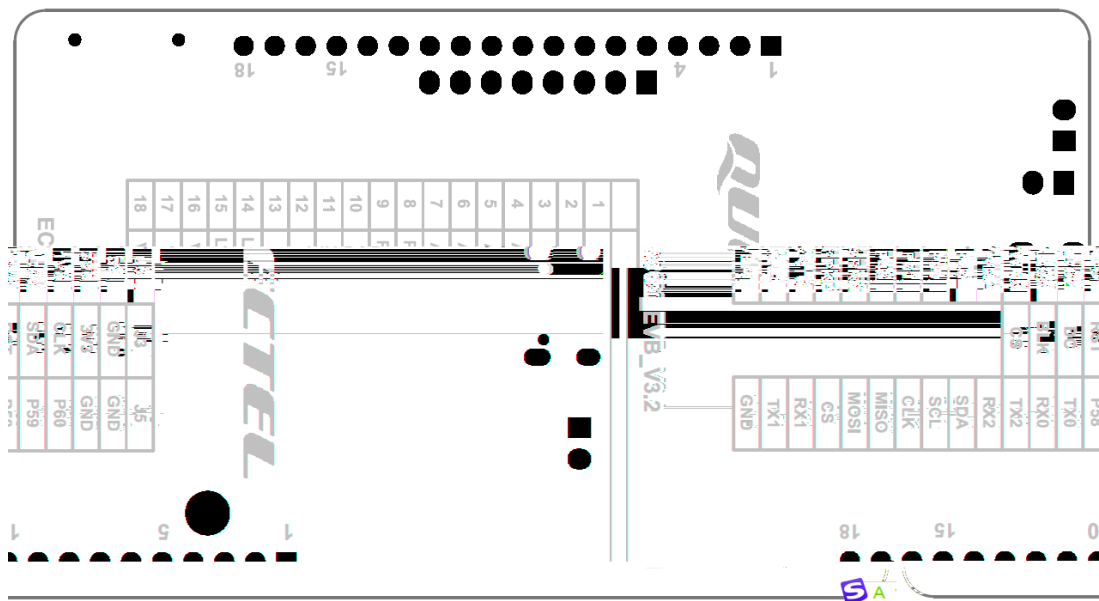
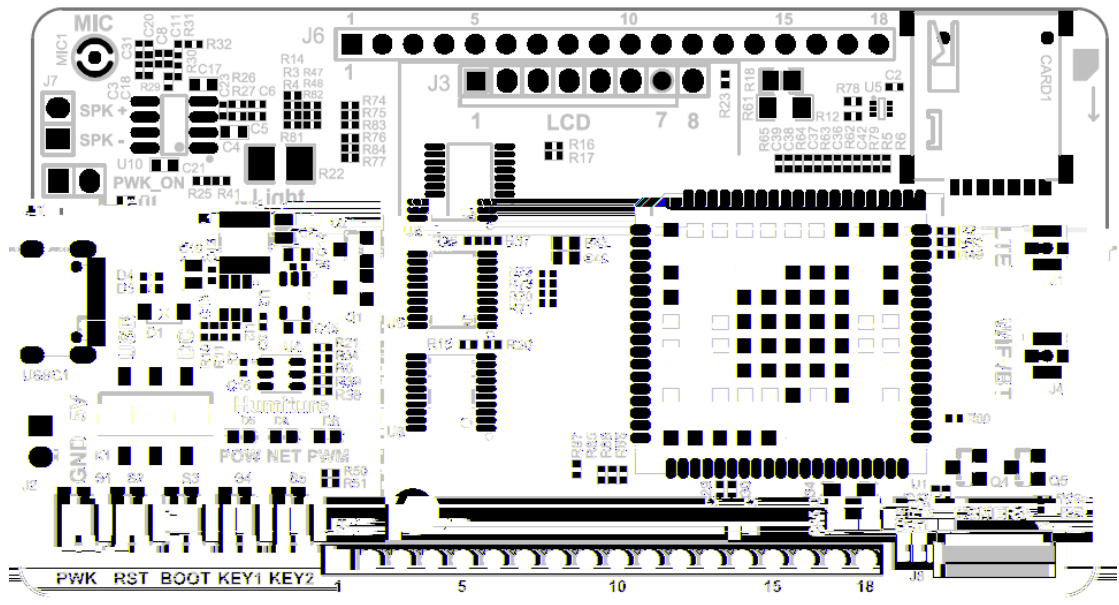


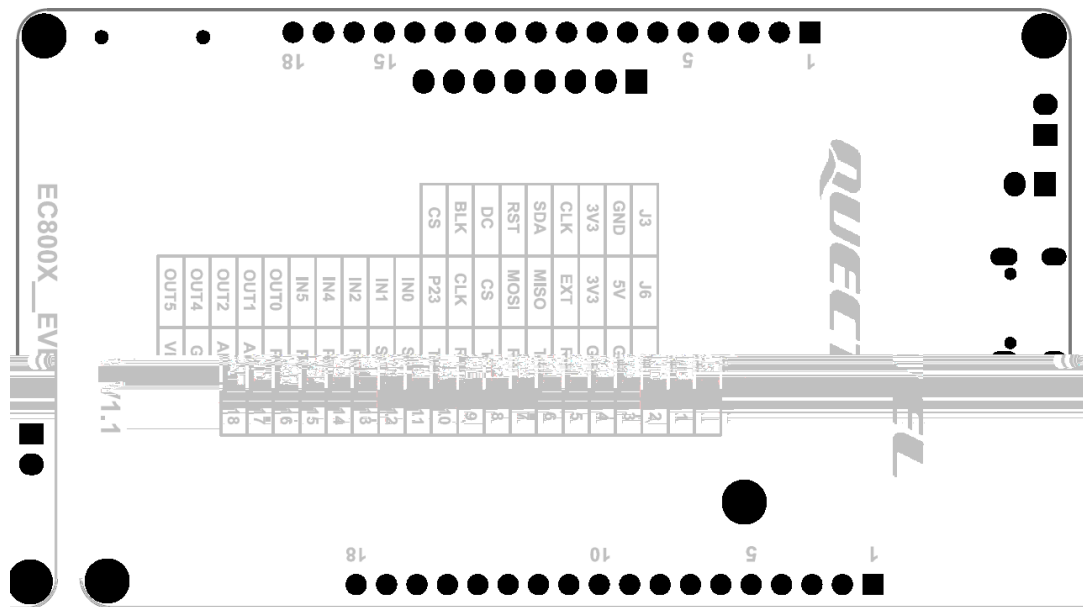
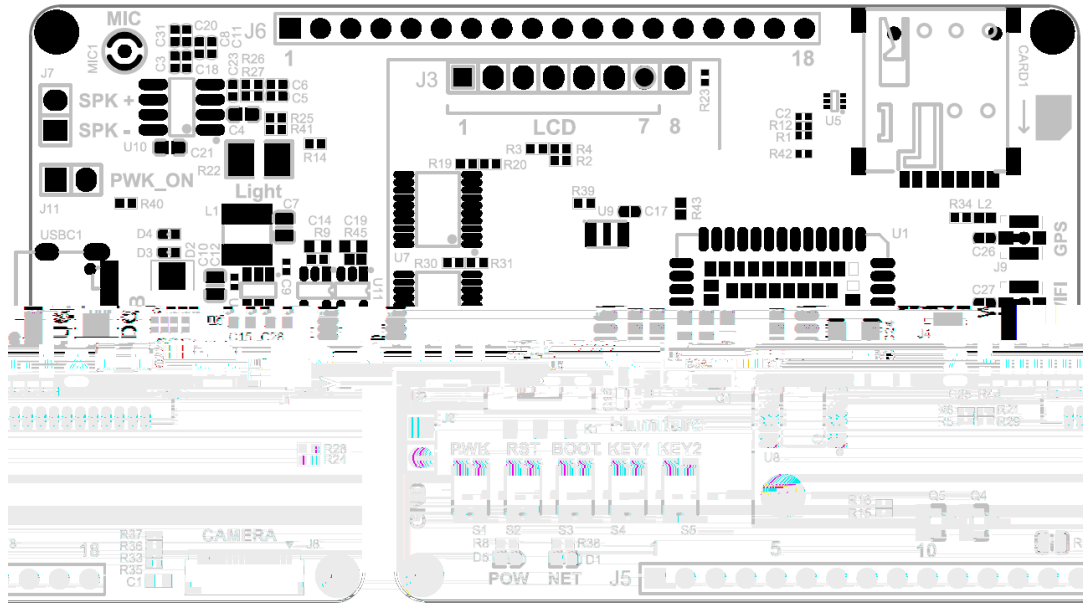
Quectel USB AT Port (COMx)
Quectel USB DIAG Port (COMx)
Quectel USB MI05 COM Port (COMx)

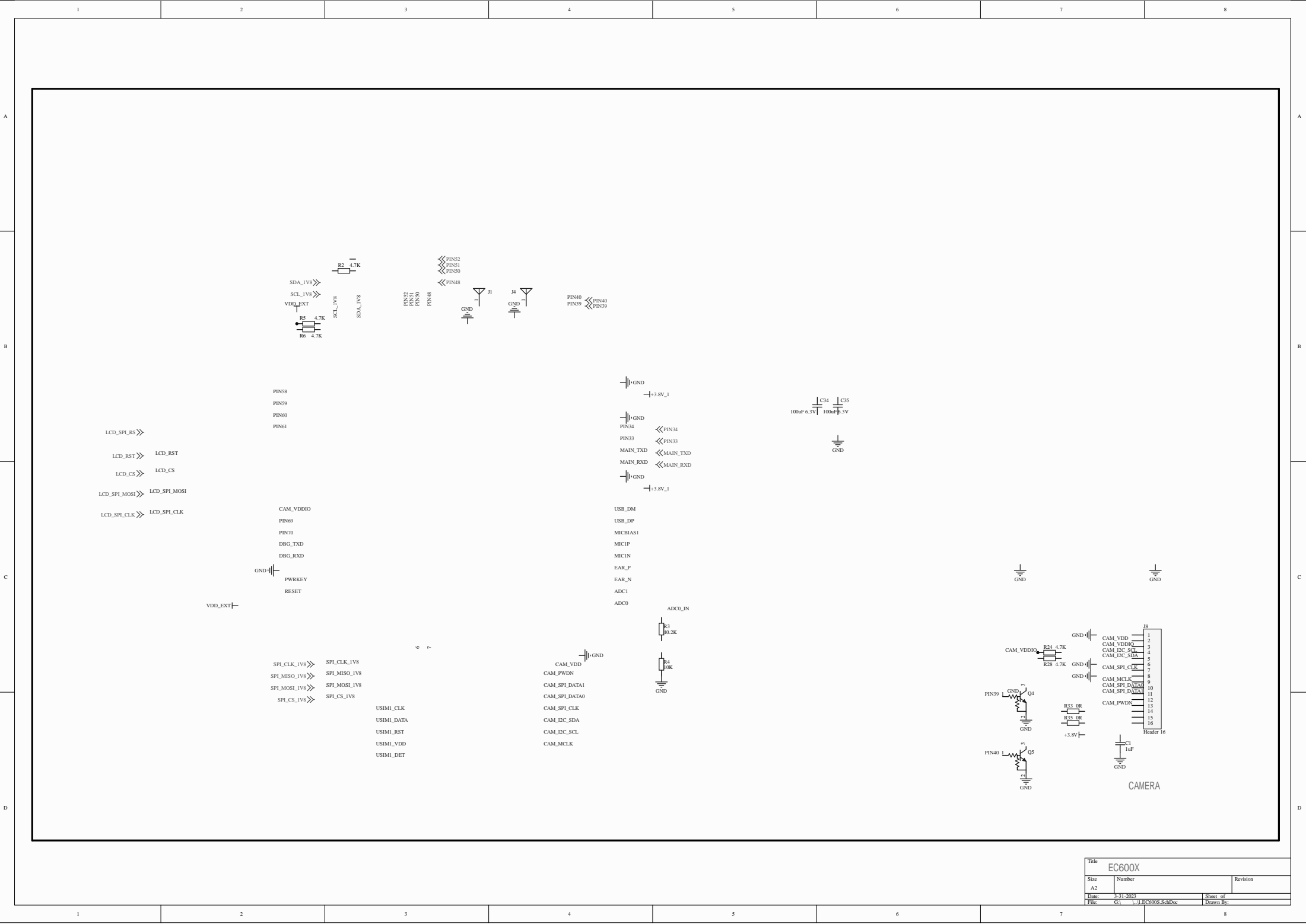
- Quectel USB AT Port (COMx)
- Quectel USB AP Log Port (COMx)
- Quectel USB CP Log Port (COMx)
- Quectel USB Diag Port (COMx)
- Quectel USB MOS Port (COMx)
- Quectel Modem (COMx)
- Quectel USB Serial-1 Port (COMx)
- Quectel USB Serial-2 Port (COMx)



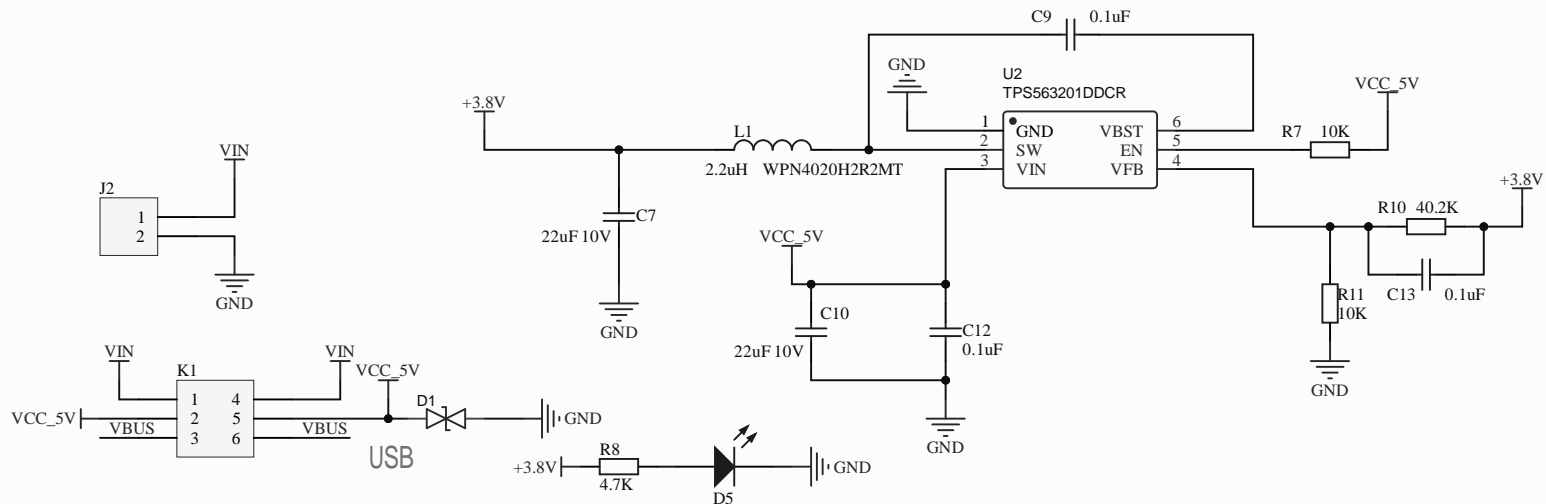




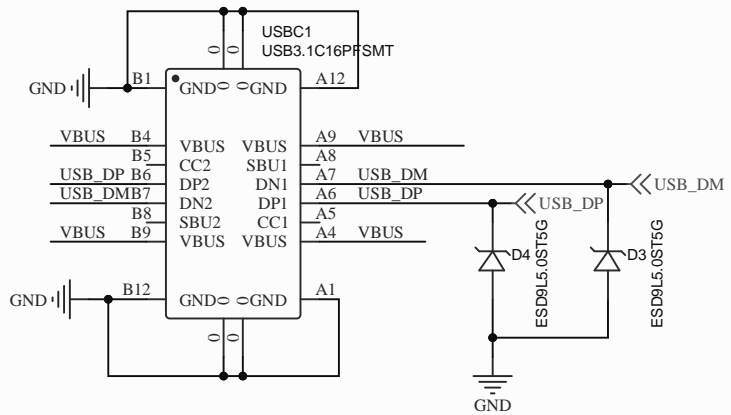




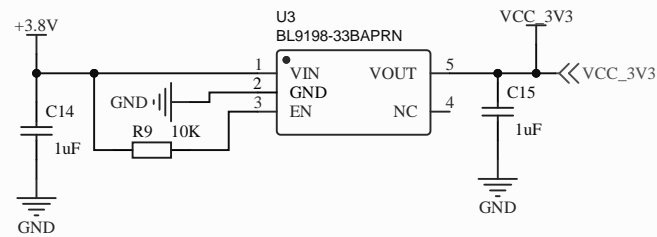
Title EC600X		
Size A2	Number	Revision
Date 3-31-2023	Sheet of	
File G:_1\1\EC600S.SchDoc	Drawn By:	



DCDC 3A

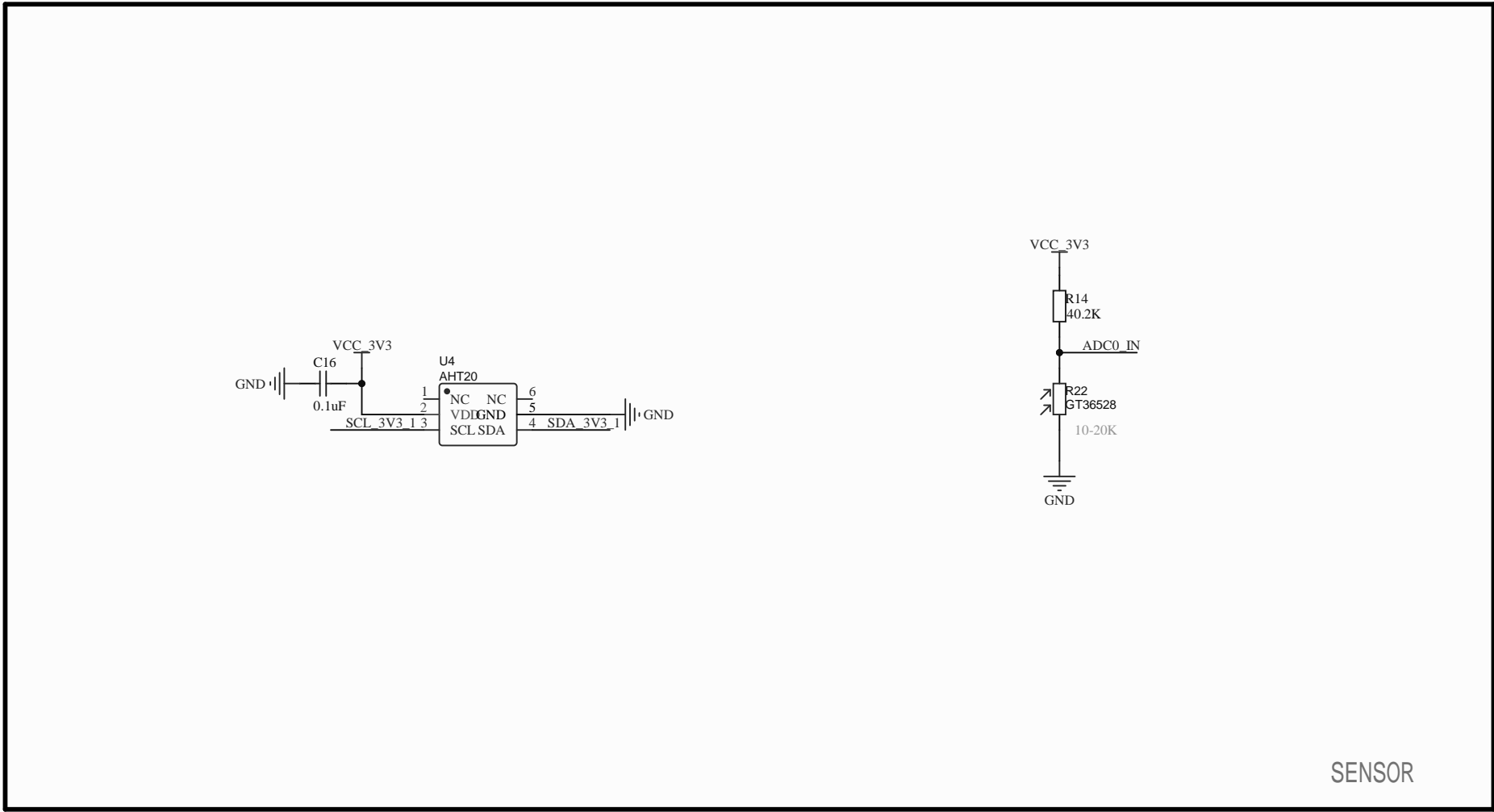


type-C

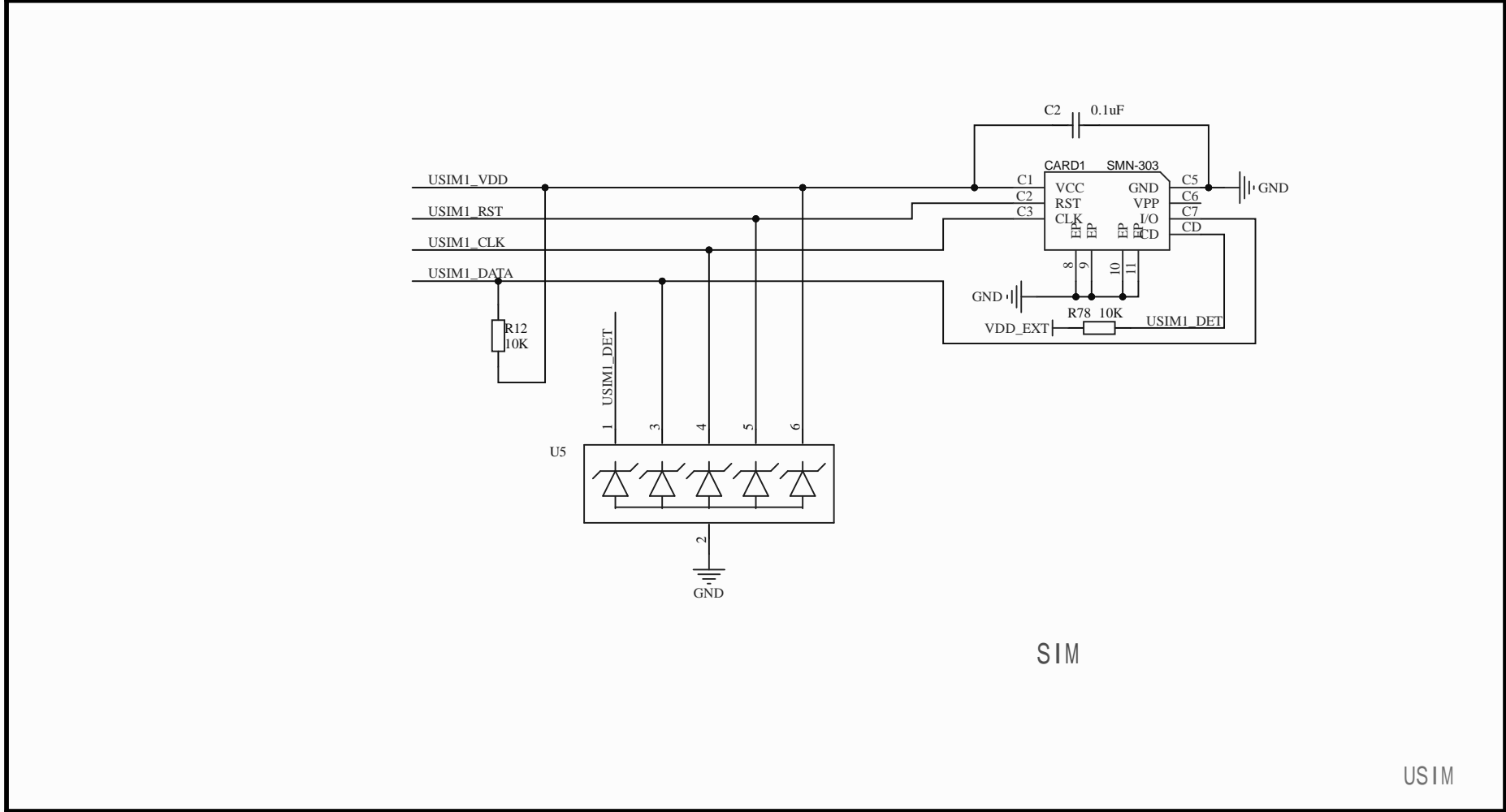


LDO 300mA

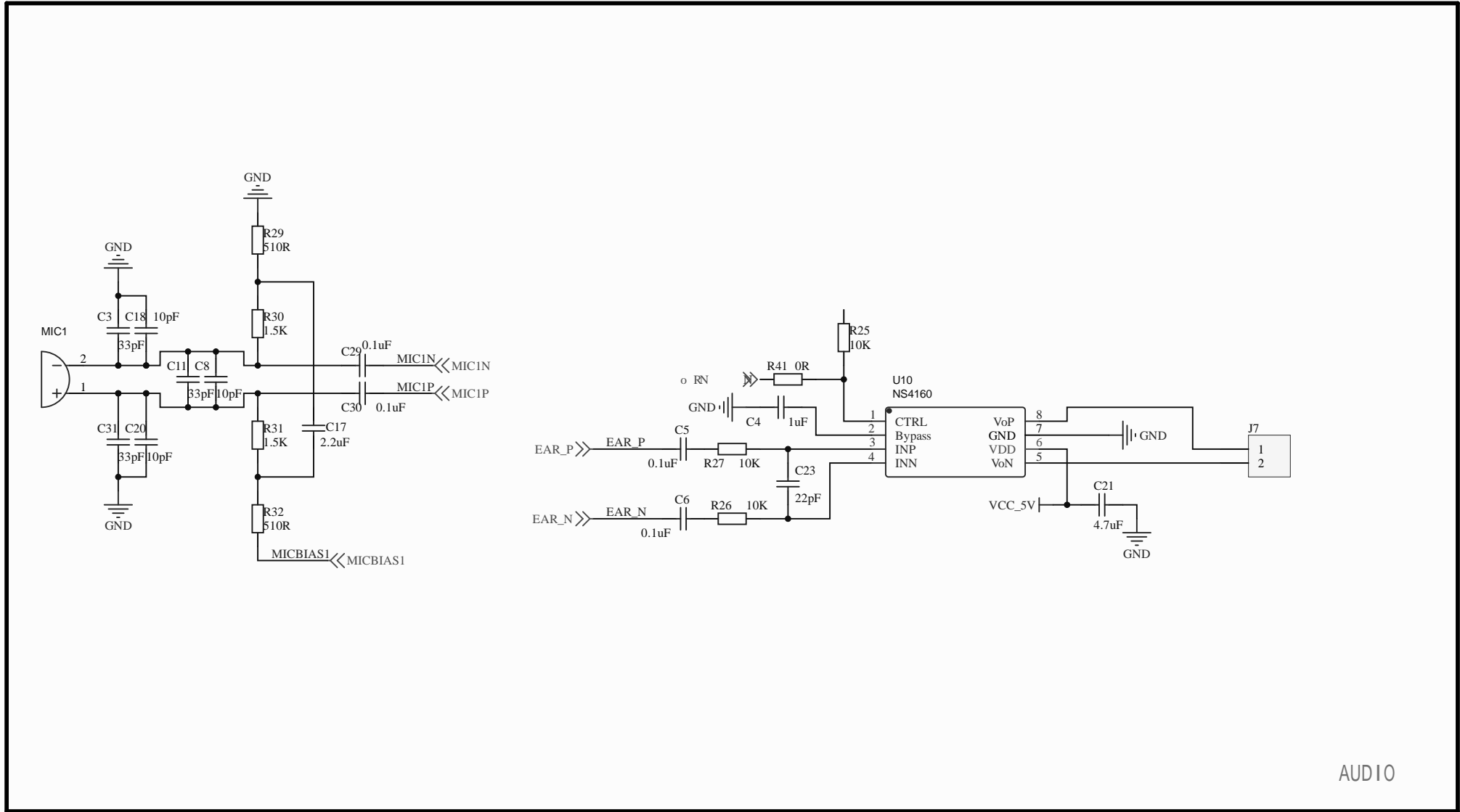
Title		
Size A4	Number	Revision
Date:	3-31-2023	Sheet of
File:	G:\...\2.POWER.SchDoc	Drawn By:



Title		
Size	Number	Revision
A4		
Date:	3-31-2023	Sheet of
File:	G:\...\3.SENSOR+EEPROM.SchDoc Drawn By:	

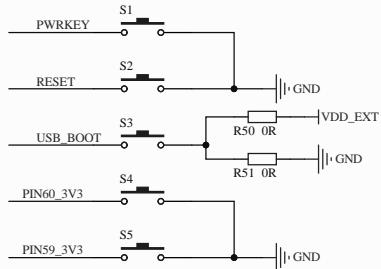
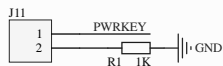
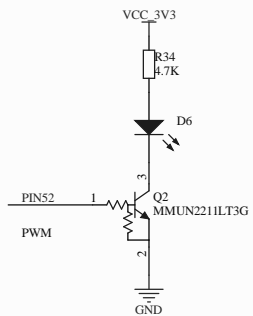
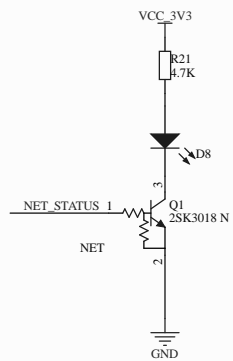


Title		
Size A4	Number	Revision
Date:	3-31-2023	Sheet of
File:	G:\...4.SIM-CARD.SchDoc	Drawn By:

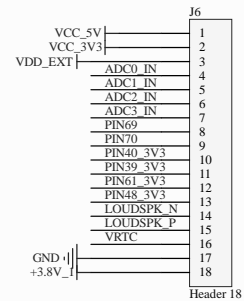
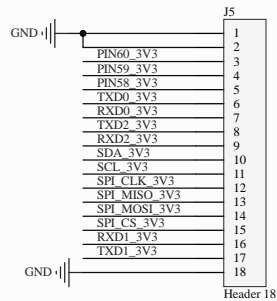
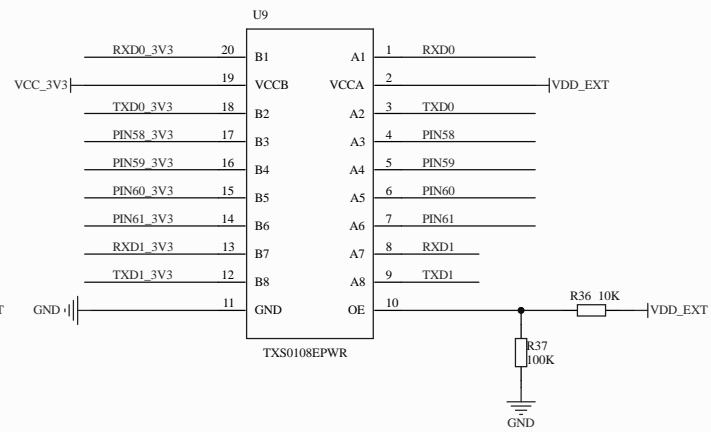
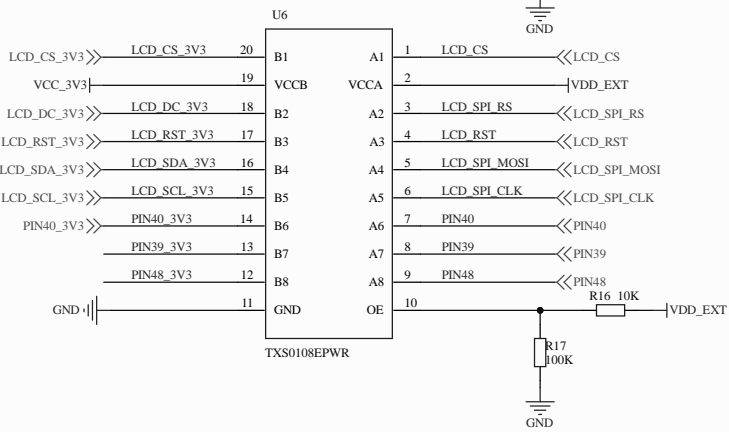
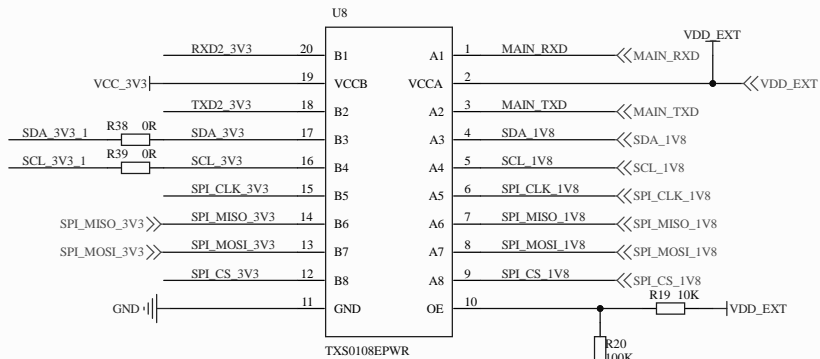


AUDIO

Title		
Size A4	Number	Revision
Date:	3-31-2023	Sheet of
File:	G:\...5.AUDIO.SchDoc	Drawn By:

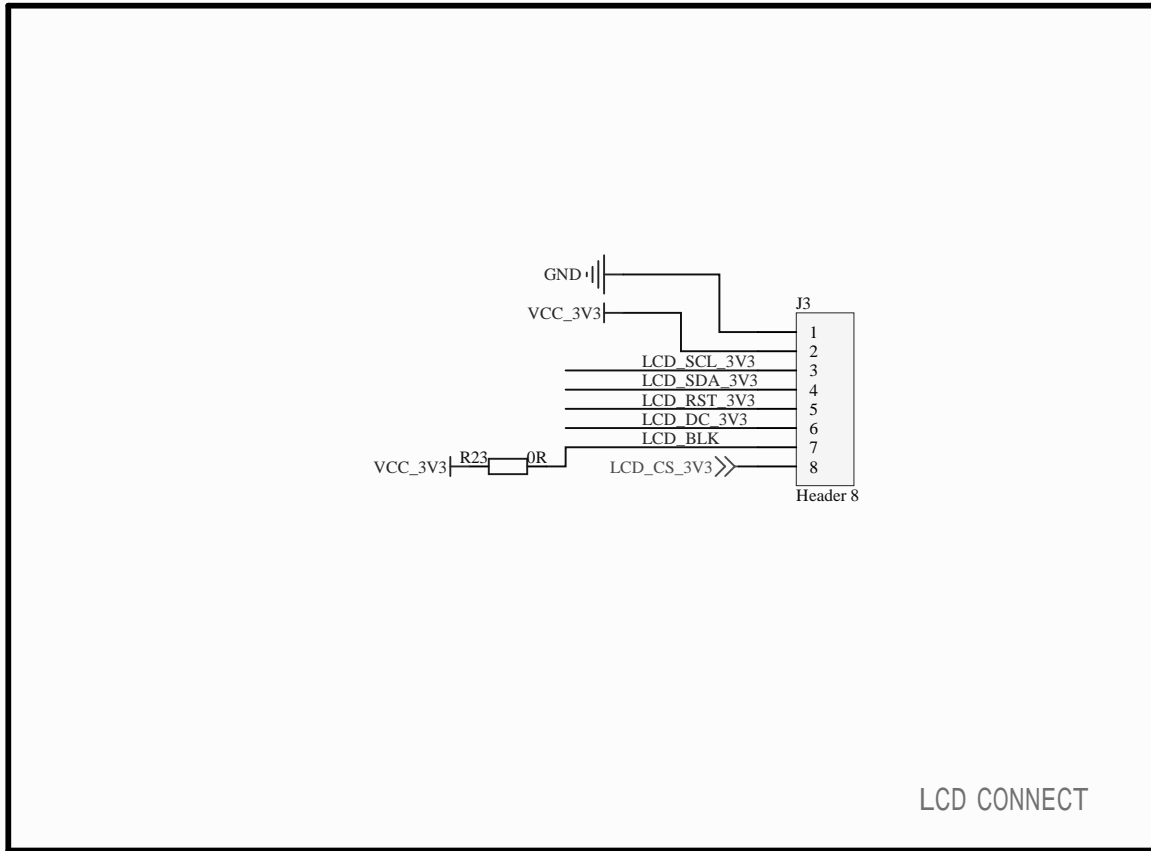


EC600U/G R50
EC600N/M R51



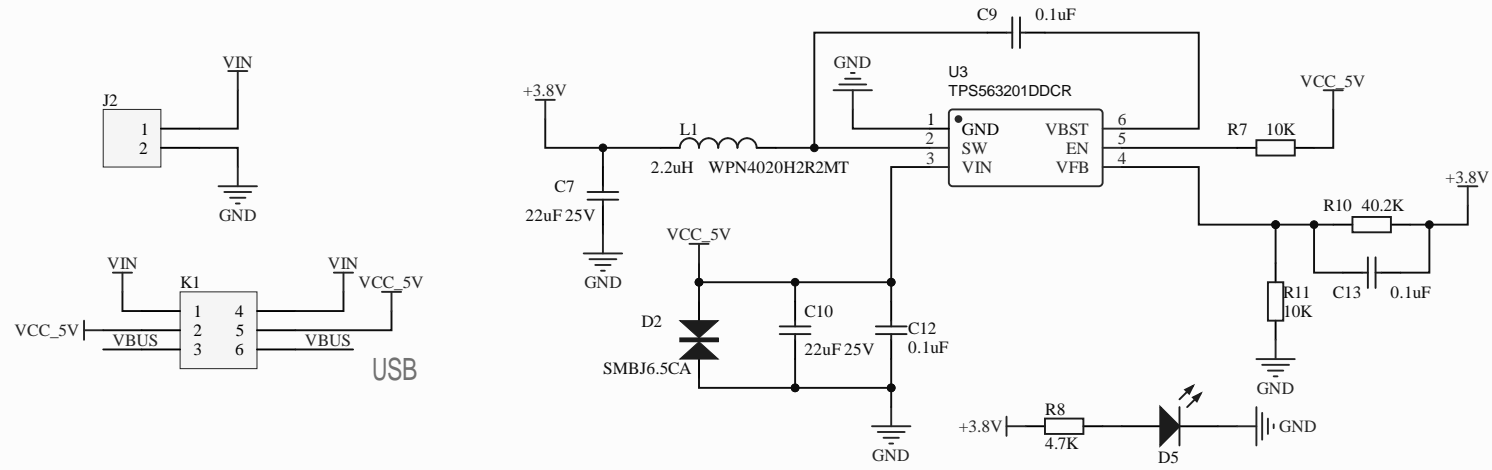
GPIO

Title		
Size	Number	Revision
A3		
Date:	3-31-2023	Sheet of
File:	G:_6.GPIO+UART.SchDoc	Drawn By:

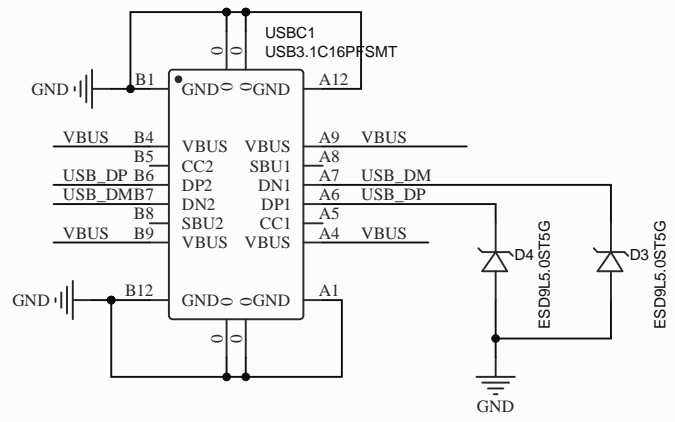
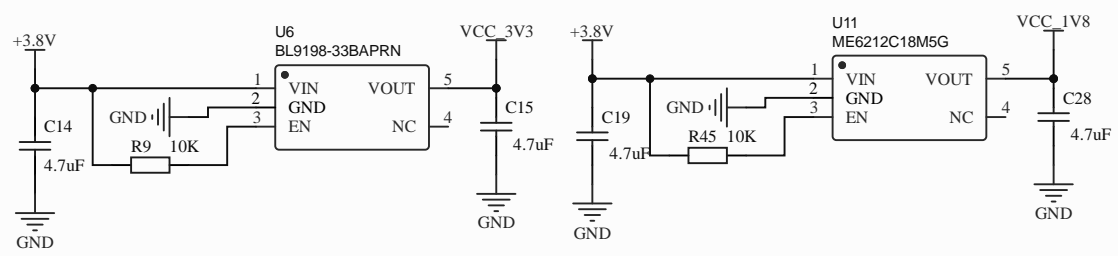


LCD CONNECT

Title		
Size A4	Number	Revision
Date:	3-31-2023	Sheet of
File:	G:\...\7.LCM.SchDoc	Drawn By:



DCDC



type-C

1

2

3

4

A

A

B

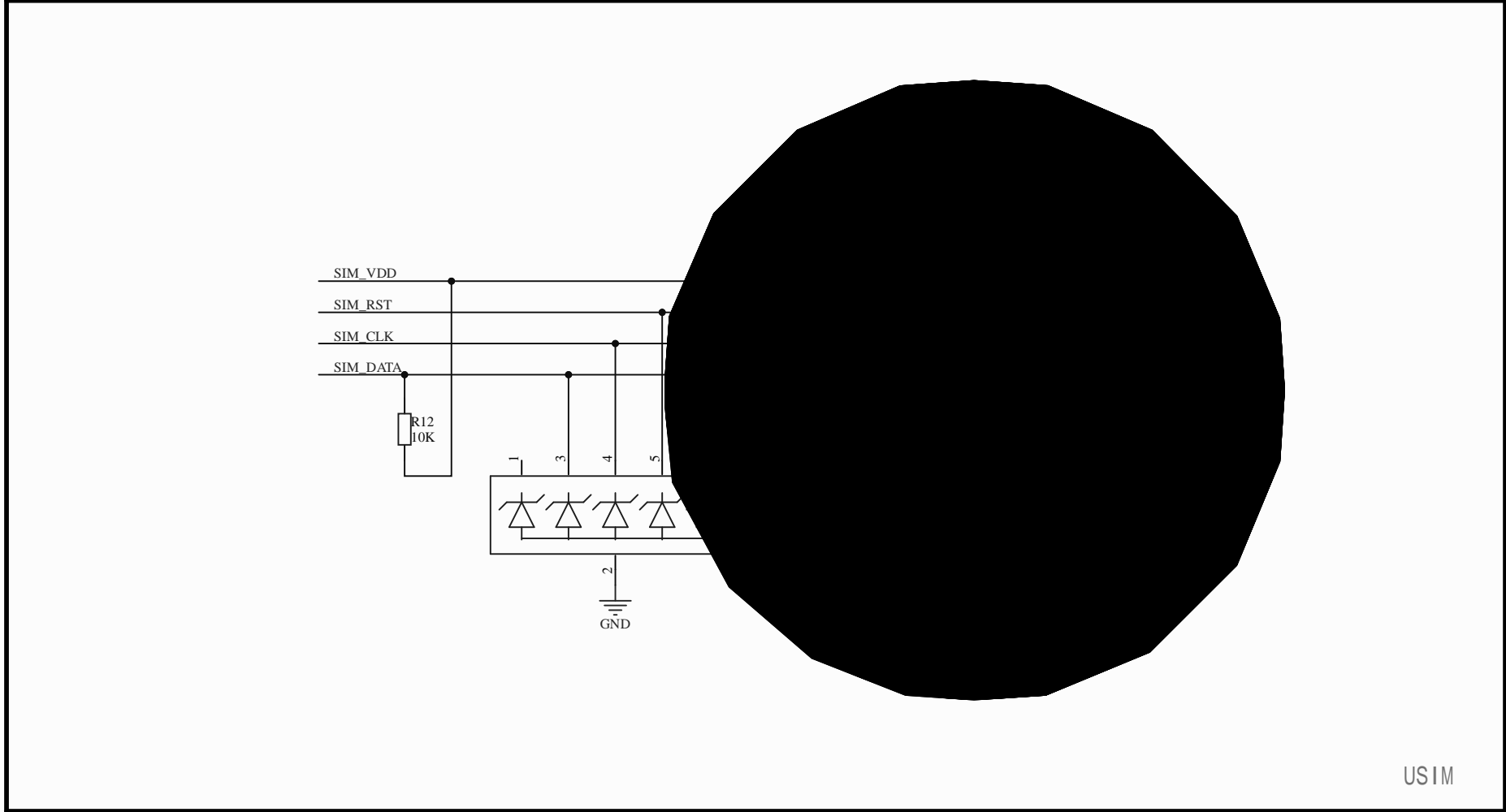
B

C

C

D

D

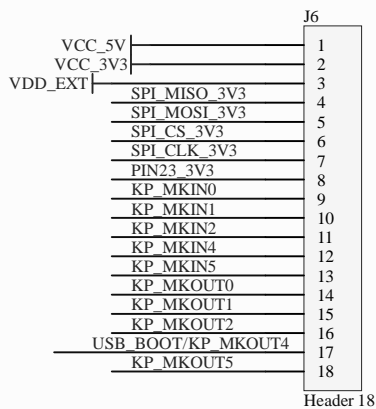
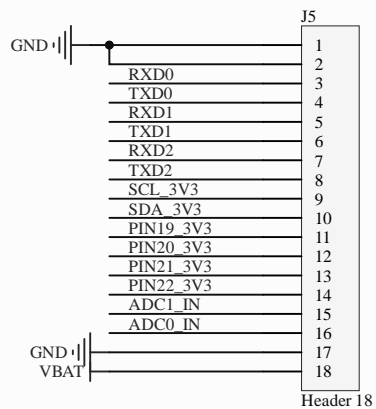
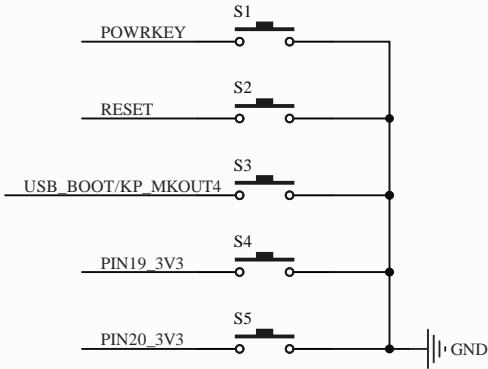
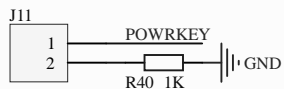
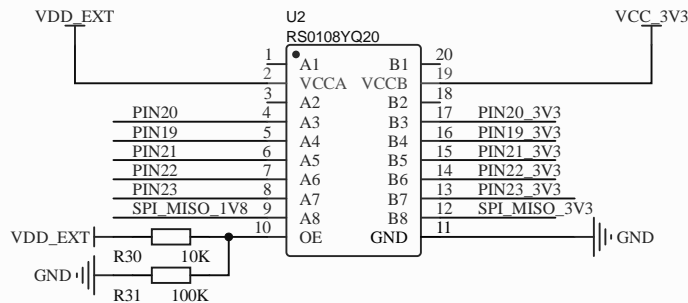
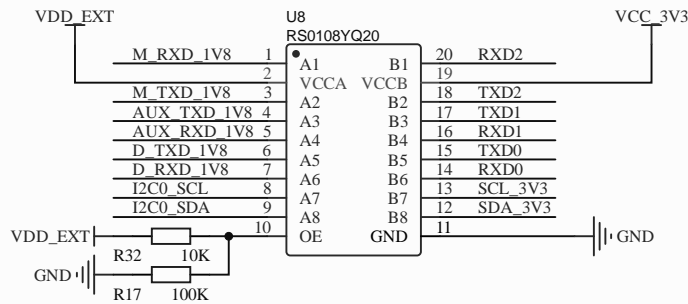
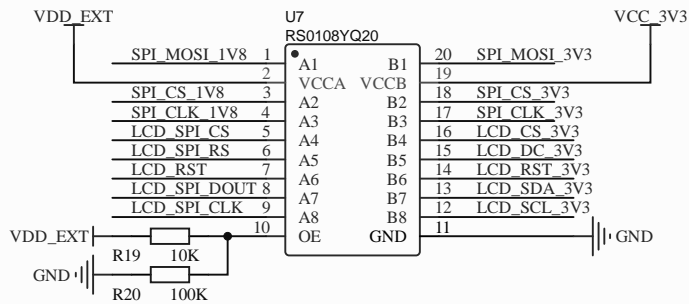


1

2

3

4



GPIO

1

2

3

4

A

A

B

B

C

C

D

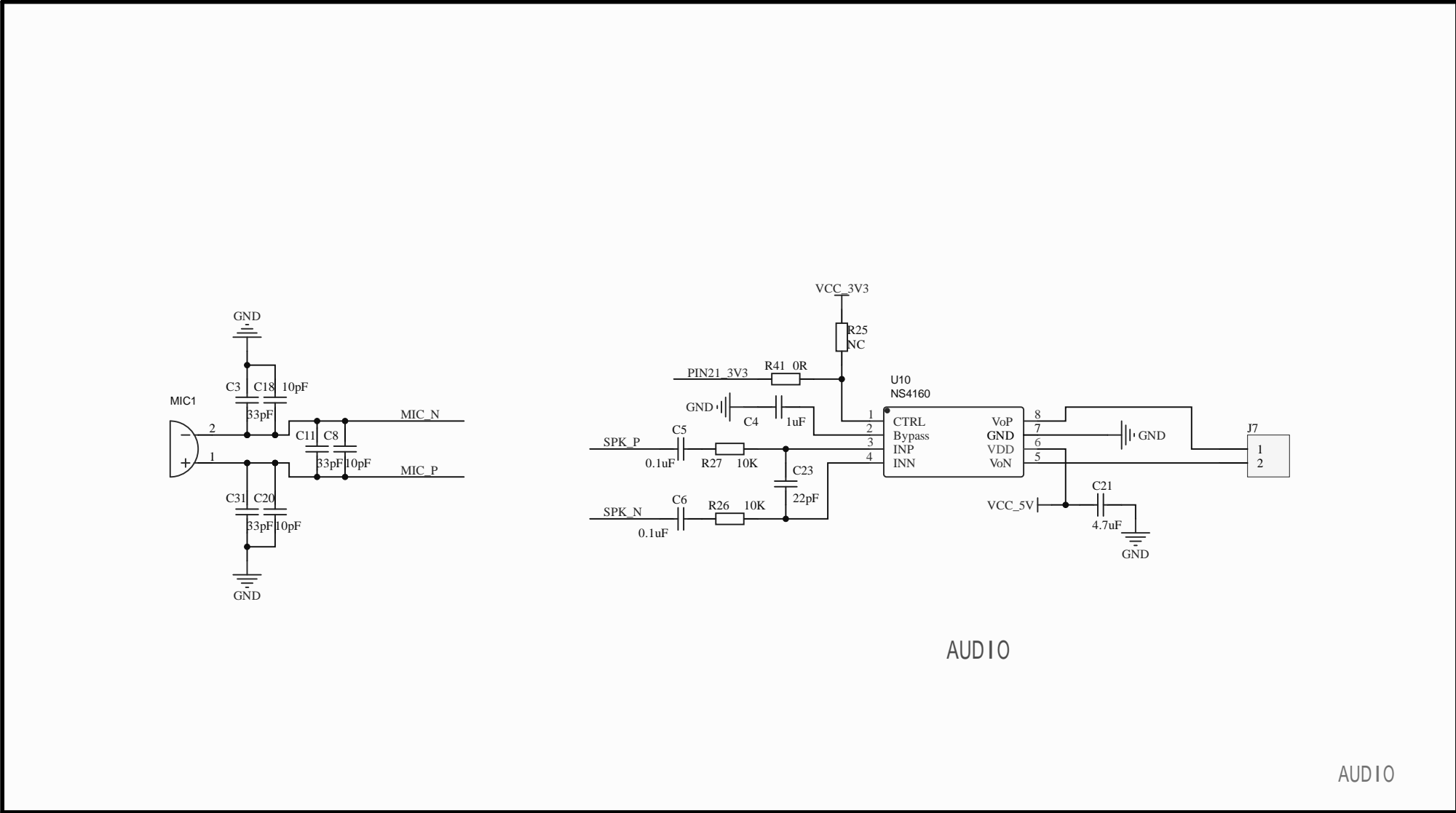
D

1

2

3

4



AUDIO

AUDIO

1

2

3

4

A

A

B

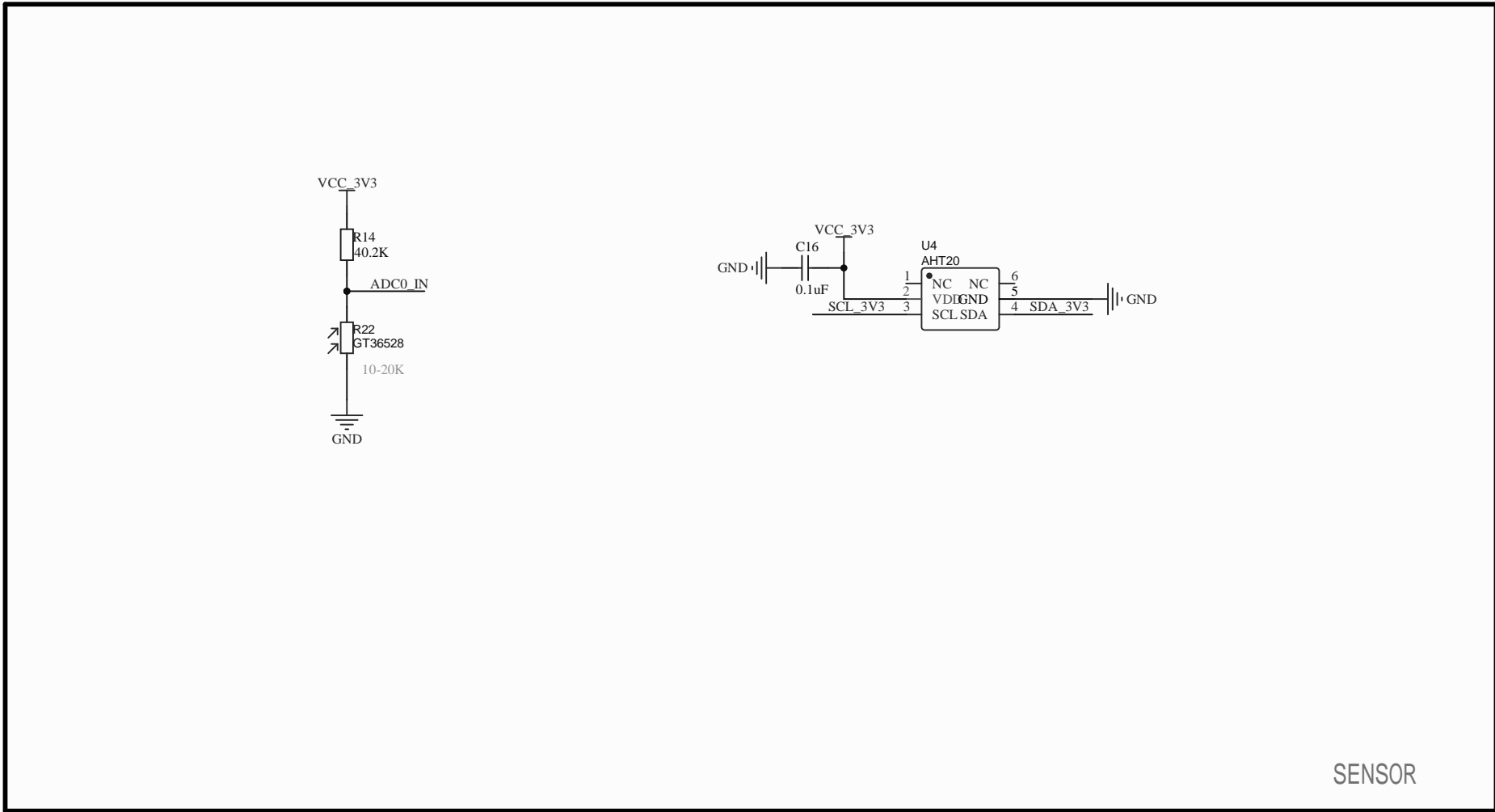
B

C

C

D

D



SENSOR

1

2

3

4

1

2

3

4

A

A

B

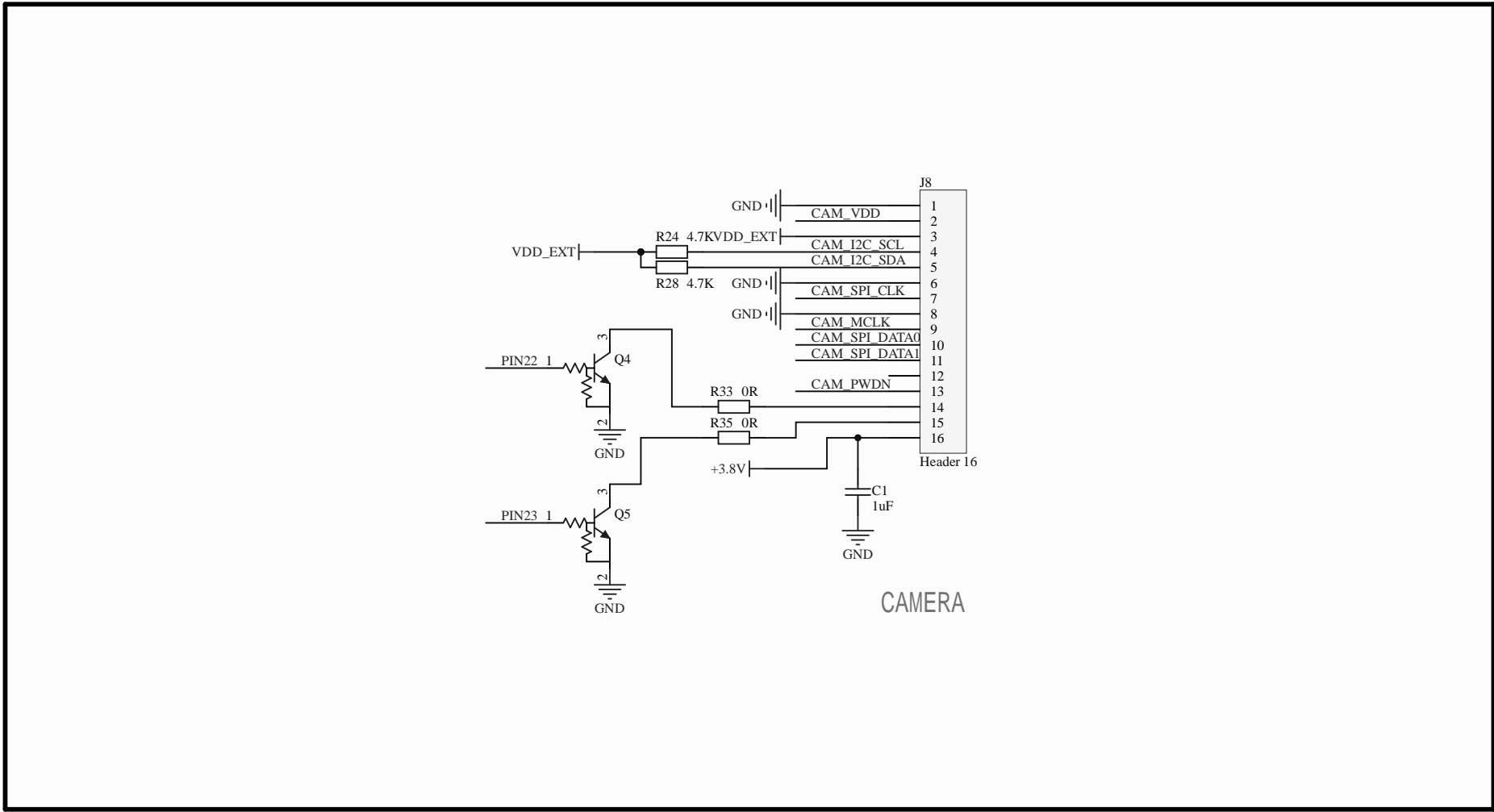
B

C

C

D

D



CAMERA

1

2

3

4

A

A

B

B

C

C

D

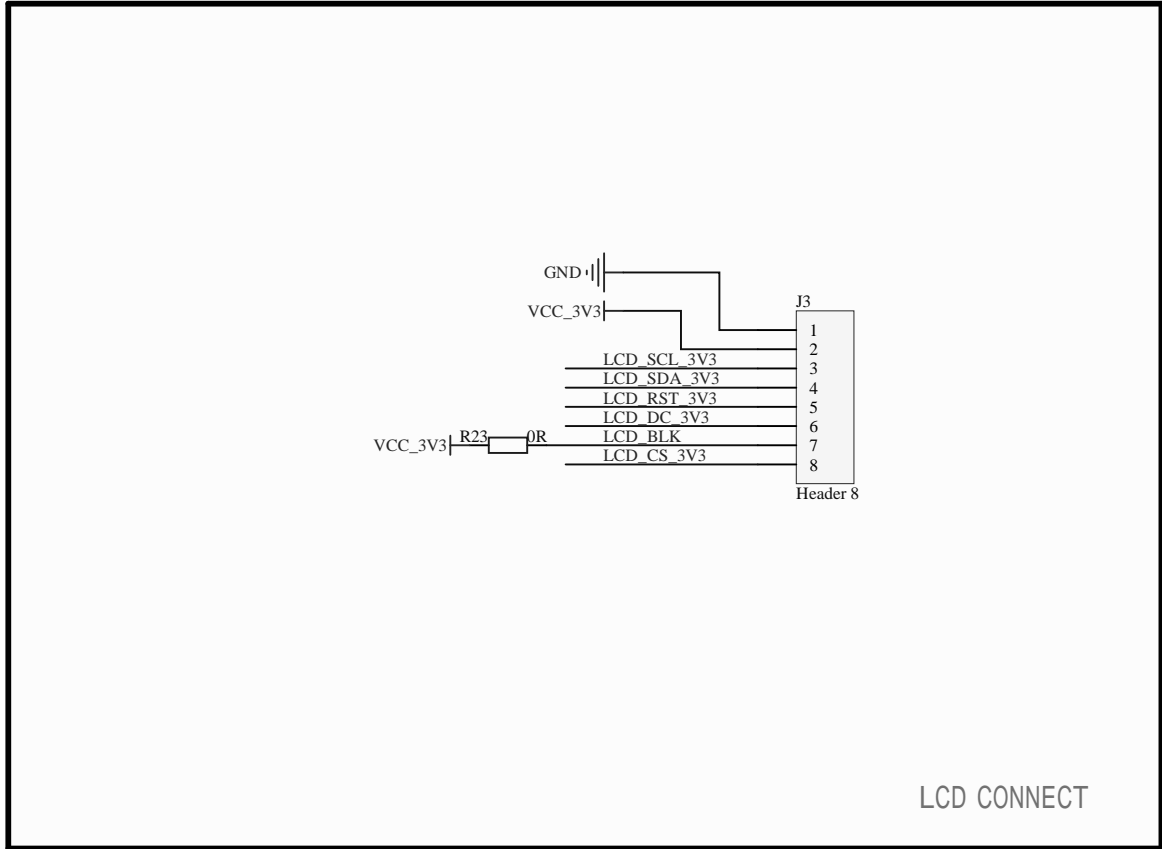
D

1

2

3

4



LCD CONNECT

1

2

3

4

A

A

B

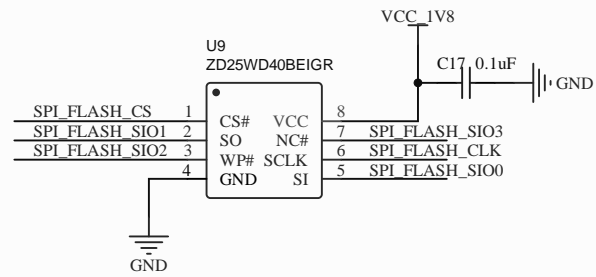
B

C

C

D

D



Flash

1

2

3

4